

**Vinvautz**

the *GRAND CRU CLASSE* collection

法國 • 名望

## **User Manual**

### **Incurve Series**

VZ46BHK

VZ110BDHK/ VZ120BHK

VZ150BDHK/ VZ166BHK

Thank you for choosing Vinvautz Wine Cellar. Before use, please read and follow all safety and operating instructions.

## **SAFETY INSTRUCTIONS**

- 220V / 50 Hz power supply by putting the plug in a properly wired wall socket.
- Use an individual outlet for the Wine Cellar. Plug several appliances into one outlet will cause the outlet overheat and may result in fire.
- Highly inflammable spray lacquer or paint must not be stored, placed or used nearby the Wine Cellar.
- Do not spill water directly on the Wine Cellar. Water on the electrical cords and parts could cause short-circuit or malfunction.
- Do not hang down from the door, or climb up the wooden shelf. The Wine Cellar may fall down and this may cause injury and fingers may be caught in the door.
- Do not place weight on the power cord. Make sure that the cord is free of the footers of the Wine Cellar, and no furniture or other objects are placed on the cord. Heavy weight placed on the cord may damage it and lead to scorching or short circuit.
- If the power cord is damaged, please contact your local authorized service centre to replace it.
- The cooling system behind and inside the Wine Cellar contains refrigerant. Do not allow any sharp objects to come into contact with the cooling system.
- Do not use other electronic appliances inside the Wine Cellar.
- Never allow children to operate, play with, or crawl inside the Wine Cellar.

## **CAUTION**

- In case the refrigerant circuit is damaged, do not use electric items or fire equipments nearby, open all windows to provide good ventilation. Please contact your local authorized service centre to follow up.
- When disposing the Wine Cellar, remove the door gasket so that the door will not be closed tightly, which will avoid children from dangerous confinement inside the Wine Cellar.
- Do not attempt to modify any parts of this Wine Cellar.
- Do not connect this Wine Cellar to power sources other than specified.
- Keep ventilation clear of obstruction.
- The Wine Cellar shall not be exposed to rain and sunlight.
- Avoid any humid or wet place. Such a place could cause corrosion or electric leakage to the Wine Cellar.

## **INSTALLATION INSTRUCTIONS**

### **BEFORE USING YOUR WINE CELLAR**

- Remove the exterior and interior packing.
- Before connecting the Wine Cellar to the power source, let it stand upright for approximately 2 hours. This will reduce the possibility of malfunction in the cooling system from handling during transportation.
- Clean the interior surface with lukewarm water using a soft cloth.
- When disposing your old appliance, please choose an authorized disposal site.

### **INSTALLATION OF YOUR WINE CELLAR**

- Place your Wine Cellar on a floor that is strong enough to support it when it is fully loaded.
- To level your Wine Cellar, adjust the front leveling leg at the bottom of the Wine Cellar.
- Locate the Wine Cellar away from direct sunlight and sources of heat (stove, heater, radiator, etc.). Direct sunlight may affect the acrylic coating and heat sources may increase electrical consumption. Extreme cold ambient temperatures may also cause the Wine Cellar to perform not properly.
- Avoid locating the Wine Cellar in moist areas.
- Plug the Wine Cellar into an exclusive, properly installed-grounded wall outlet. Do not cut or remove the power cord under any circumstances. Any questions concerning power and/or grounding should be directed to a certified electrician or your local authorized service centre.

## ATTENTION

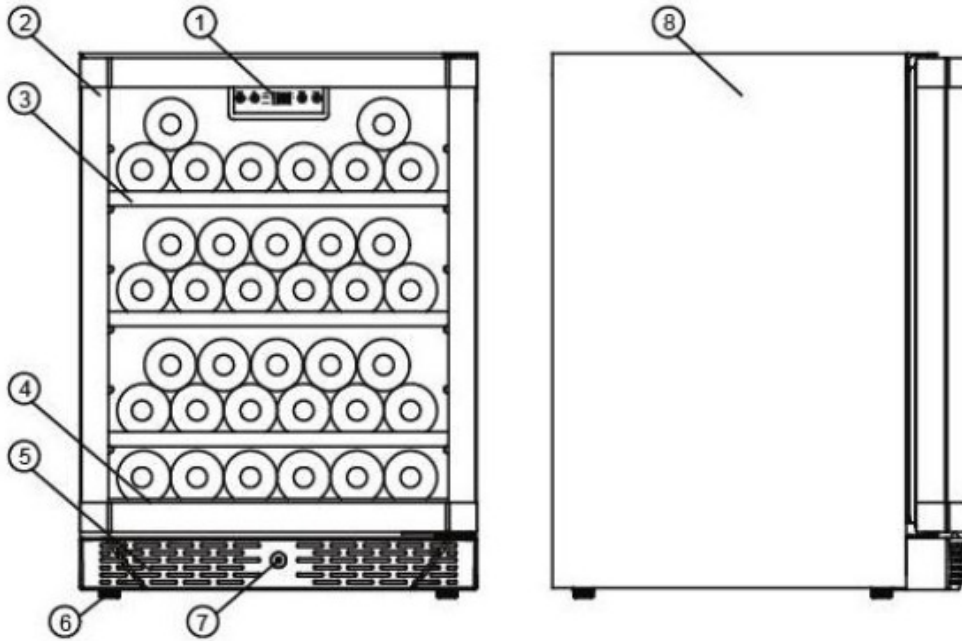
- To prevent the door gasket damage, make sure to have the door all the way opened when pulling shelves out of the rail compartment.
- The Wine Cellar must be positioned with the plug accessible area. Release the power cord and move your cabinet to its final location. Do not move your Wine Cellar while loaded with wine. You might distort the body with inappropriate impact. The Wine Cellar should be installed in a suitable place in order to avoid touching the compressor by hand.
- If the door hinge need to adjust for your desired direction, it has to be carried out by a certified electrician or your local authorized service centre to avoid inappropriate impact on operation.
- If the supply cord is damaged, it must be replaced by a certified electrician or your local authorized service centre.
- Store wine in sealed bottles.
- Do not overload the Wine Cellar.
- Do not open the door unless necessary to avoid temperature fluctuation.
- Do not cover shelves with aluminum foil or any other shelf material which may prevent air circulation.

Should the Wine Cellar be stored without use for long period, it is suggested that, after a careful cleaning, leave the door ajar to allow air to circulate inside the wine cellar. This will avoid possible formations of condensation, mold or odors.

- Note:**
1. The information of this user manual and the specifications may change due to product improvement without prior notice.
  2. Warranty applies to the Wine Cellar only and do not apply to the contents of the Wine Cellar. We are not responsible for any damage to the wines or any other contents inside the Wine Cellar.
  3. The Wine Cellar should be placed under 5°C to 35°C ambient temperature. If the ambient temperature is out of this range, the performance of the wine cellar may be affected.

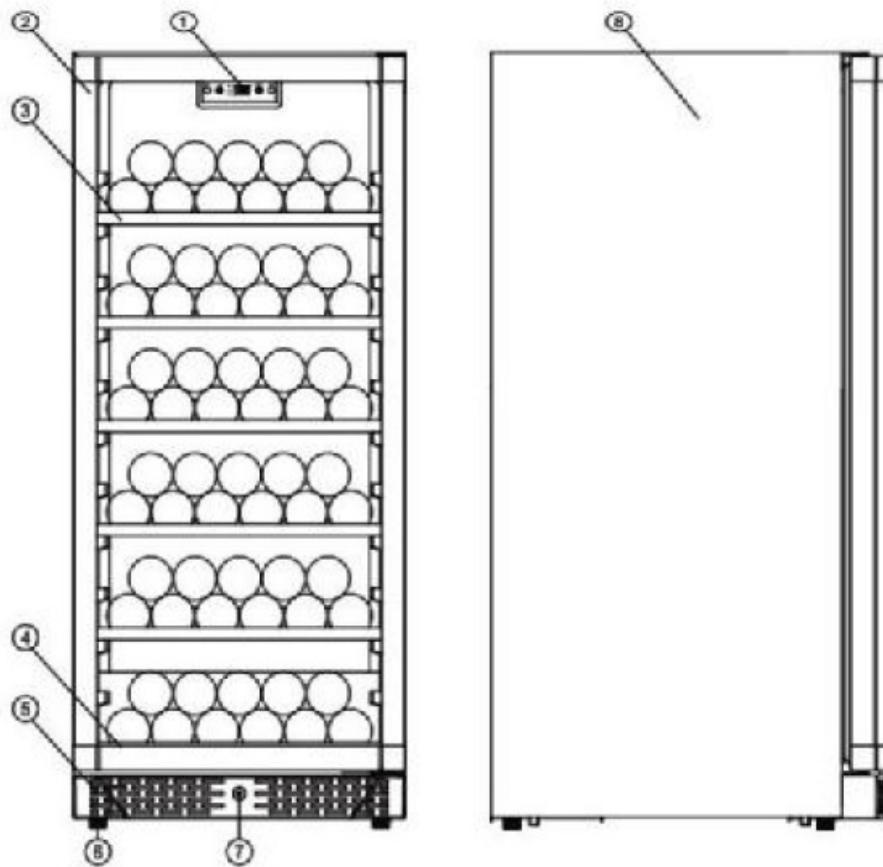
## NAME OF THE PARTS

**VZ46BHK**



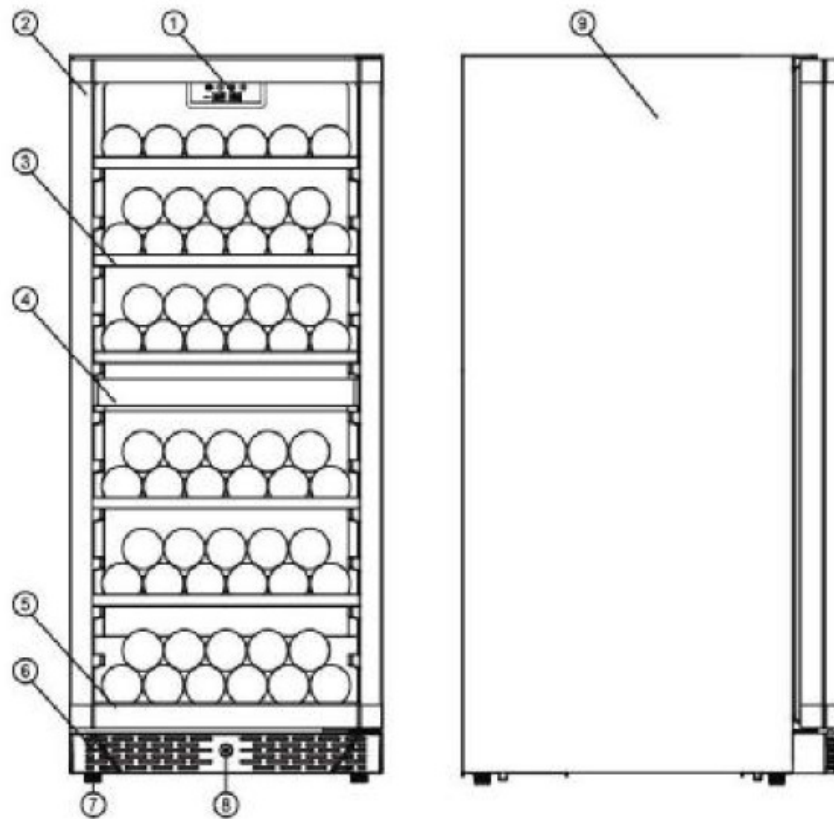
1. Digital Control Panel
2. Anti UV Tinted Glass Door
3. Large Wooden Shelves (Total 3pcs)
4. Bottom Wooden Shelves (Total 1 pc)
5. Ventilation Grille
6. Leveling Legs
7. Security Lock
8. Cabinet

## VZ120BHK/ VZ166BHK



1. Digital Control Panel
2. Anti UV Tinted Glass Door
3. Large Wooden Shelves (5pcs for VZ120BHK, 7pcs for VZ166BHK)
4. Bottom Wooden Shelves (1 pc for both VZ120BHK and VZ166BHK )
5. Ventilation Grille
6. Leveling Legs
7. Security Lock
8. Cabinet

## VZ110BDHK/ VZ150BDHK



1. Digital Control Panel
2. Anti UV Tinted Glass Door
3. Large Wooden Shelves ( 5pcs for VZ110BDHK, 7pcs for VZ150BDHK)
4. Middle Partition
5. Bottom Wooden Shelves ( 1pc for both VZ110BDHK and VZ150BDHK )
6. Ventilation Grille
7. Leveling Legs
8. Security Lock
9. Cabinet

## OPERATING YOUR WINE CELLAR

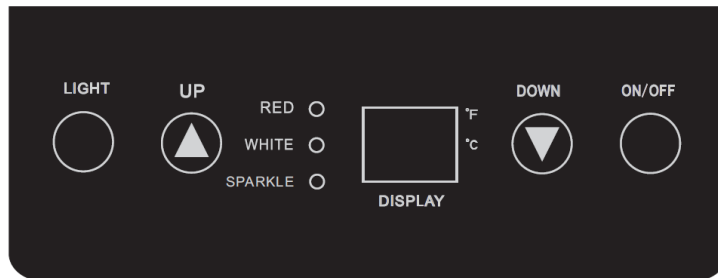
The Wine Cellar should be placed in where the ambient temperature is between 32 - 95°F (0-35°C). If the ambient temperature is above or below this range, the performance of the Wine Cellar may be affected. Placing the Wine Cellar in extreme cold or hot conditions may cause interior temperatures to fluctuate. The range of 40-65 °F (5-18°C) may not be reached.

Recommended Temperatures for storing Wines are listed below for reference only.

For more detailed information, please consult with your wine consultant.

	°C	°F
Red Wines	15-18	58-65
Dry / White Wines	9-14	48-57
Rose Wines	10-11	49-51
Sparkling Wines	5-8	40-47

### VZ46BHK/ VZ120BHK/ VZ166BHK



#### ON/OFF POWER

- To turn ON/OFF the Wine Cellar, touch the ON/OFF mark and hold for 2 seconds.

#### SETTING THE TEMPERATURE CONTROL

- You can set the temperature as you desire by touching the UP or DOWN mark. When you touch the two marks for the first time, the LED display will show the original temperature set at previous time (the temperature preset at the factory is 12°C/54°F).
- The temperature that you desire to set will increase 1°F or 1°C if you touch the UP mark once, on the contrary the temperature will decrease 1°F or 1°C if you touch the DOWN mark once.
- When you store mostly red wines, the temperature which you control by



touching the above two marks need to be set at between 15°-18°C/58°-65°F and the LED lamp under “RED” will be lit red.

- When you store mostly white wines, the temperature needs to be set at between 9°-14°C/48°-57°F and the LED lamp under “WHITE” will be lit green.
- When you store mostly sparkling wines, the temperature needs to be set at between 5°- 8°C/40°-47°F and the LED lamp under “SPARKLE” will be lit amber.
- The temperature inside the Wine Cellar will be appeared in blue color in the display window.
- You can select temperature display setting from Fahrenheit to Celsius degree by holding down UP and DOWN buttons at the same time for three seconds. Fahrenheit or Celsius degrees indicator will appear in blue color in the temperature display window.

**NOTE:**

- If the Wine Cellar is unplugged, power lost, or turned off, you must wait 3 to 5 minutes before restarting the Wine Cellar. If you attempt to restart before this time delay, the Wine Cellar will not start.
- When you use the Wine Cellar for the first time or restart the Wine Cellar after having been shut off for a long time, there could be a few degrees variance between the temperature you select and the one indicated on the LED readout. This is normal and it is due to the length of the activation time. Once the Wine Cellar is running for a few hours everything will be back to normal.

**Interior Light**

- You can turn the interior light ON or OFF by pushing the button marked with the “bulb” symbol LIGHT.


**Door Lock**

- Your Wine Cellar is provided with a lock and key combination.
- The keys are located inside the plastic bag that contains the user manual. Insert the key into the lock and turn it counterclockwise to unlock the door. To lock the door do the reverse operation making sure metal pin is engaged completely. Remove the key and place it in a secure place for safekeeping.

## VZ110BDHK/ VZ150BDHK



### ON/OFF POWER

- To turn ON/ OFF the Wine Cellar, touch the  mark and hold for 2 seconds.

### SETTING THE TEMPERATURE CONTROL

- Each cooling compartment of the Wine Cellar (upper & lower) is independently controlled.
- To set the temperature, connect the power cord to a properly grounded outlet. In the event of a power interruption, all previous temperature settings are automatically erased and each compartment will default to a preset temperature setting of 6°C(43°F) for upper compartment and 12°C(54°F) for lower compartment.
- Set the desired cooling temperature by pressing the buttons adjacent to the “set upper/set lower” program. Each depression of the buttons will scroll through the available temperature settings (for each compartment) in decreases of 1 degree. The temperature selected will flash in the LED display for approximately 5 seconds, then revert back to display the temperature of the internal cabinet



Upper compartment: The temperature setting can be adjusted from 5°C to 18°C (40°F to 65°F).



Lower compartment: The temperature setting can be adjusted from 5°C to 18°C (40°F to 65°F).


- To view the “set” temperature, press and hold the corresponding button for approximately 5 seconds, the “set” temperature will temporarily “flash” in the LED display for 5 seconds. This Wine Cellar has the option to display temperatures in either Celsius or Fahrenheit. To change the setting, press and hold both buttons (Set Upper/Set Lower) simultaneously for approximately 5 seconds, a prompt “beep” will sound and the blue pilot light adjacent to the C or

F mode illuminates. (Due to different market, some units may only display Fahrenheit or Celsius)

**NOTE:**

- If the Wine Cellar is unplugged, power lost, or turned off, you must wait 3 to 5 minutes before restarting the unit. If you attempt to restart before this time delay, the Wine Cellar will not start.
- When you use the Wine Cellar for the first time or restart the Wine Cellar after having been shut off for a long time, there could be a few degrees variance between the temperature you select and the one indicated on the LED readout. This is normal and it is due to the length of the activation time. Once the Wine Cellar is running for a few hours everything will be back to normal.

**Interior Light**

- You can turn the interior light ON or OFF by pushing the button marked with the “light” symbol 

**Door Lock**

- Your Wine Cellar is provided with a lock and key combination.
- The keys are located inside the plastic bag that contains the user manual. Insert the key into the lock and turn it counterclockwise to unlock the door. To lock the door do the reverse operation making sure metal pin is engaged completely. Remove the key and place it in a secure place for safekeeping.

## **CARE AND MAINTENANCE**

### **Cleaning Your Wine Cellar**

- Turn off the power, unplug the Wine Cellar, and remove all items including shelves and rack.
- Wash the inside surfaces with a warm water and baking soda solution. The solution should be about 2 tablespoons of baking soda to a quart of water.
- Wash the shelves with a mild detergent solution.
- Wring excess water out of the sponge or cloth when cleaning area of the controls, or any electrical parts.
- Wash the outside cabinet with warm water and mild liquid detergent. Rinse well and wipe dry with a clean soft cloth.

### **Power Failure**

- Most power failures are corrected within a few hours and should not affect the temperature of your Wine Cellar if you minimize the number of times the door is opened. If the power is going to be off for a longer period of time, you need to take the proper steps to protect your contents.

### **Vacation Time**

- Short vacations: Leave the Wine Cellar operating during vacations of less than three weeks.
- Long vacations: If the Wine Cellar will not be used for several months, remove all items and turn off the Wine Cellar. Clean and dry the interior thoroughly. To prevent odor and mold growth, leave the door open slightly, blocking it open if necessary.
- .

### **Moving Your Wine Cellar**

- Remove all items.
- Securely tape down all loose items (shelves) inside your Wine Cellar.
- Turn the adjustable leg up to the base to avoid damage.
- Tape the door shut.
- Be sure the Wine Cellar stays secure in the upright position during transportation. Also protect outside of Wine Cellar with a blanket, or similar item.

### Energy Saving Tips

- The Wine Cellar should be located in the coolest area of the room, away from heat producing appliances, and out of the direct sunlight.

## TROUBLESHOOTING GUIDE

You can solve many common Wine Cellar problems easily, saving you the cost of a possible service call. Try the suggestions below to see if you can solve the problem before calling the service.

<b>PROBLEM</b>	<b>POSSIBLE CAUSE</b>
Wine Cellar does not operate.	Not plugged in. The Wine Cellar is turned off. The circuit breaker tripped or a blown fuse.
Wine Cellar is not cold enough.	Check the temperature control setting. The door is opened too often. The door is not closed completely. The door gasket does not seal properly.
Wine Cellar Cooling Fan Turns on and off frequently.	The room temperature is hotter than normal. A large amount of contents has been added to the Wine Cellar and stuck the air circulation. The door is opened too often. The door is not closed completely. The temperature control is not set correctly. The door gasket does not seal properly.
The light does not work.	Not plugged in. The circuit breaker tripped or a blown fuse. The bulb has burned out. The light button is "OFF".
Vibrations.	Check to assure that the Wine Cellar is level.
The Wine Cellar seems to make too much noise.	The rattling noise may come from the flow of the refrigerant, which is normal. As each cycle ends, you may hear gurgling sounds caused by the flow of refrigerant in your Wine Cellar. Contraction and expansion of the inside walls may cause popping and crackling noises. The Wine Cellar is not level.
The door will not close properly.	The Wine Cellar is not level. The door was reversed and not properly installed. The gasket is dirty. The shelves are out of position.

## PRODUCT SPECIFICATION CHART

	VZ46BHK	VZ110BDHK	VZ120BHK	VZ150BDHK	VZ166BHK
Bottle Capacity	46	Upper 55	120	Upper 75	166
		Lower 55		Lower 75	
Net Capacity	145L	312L	321L	416L	412L
Ambient Temperature	5-35°C				
Temperature Range	5-18°C	Upper 5-18°C	5-18°C	Upper 5-18°C	5-18°C
		Lower 5-18°C		Lower 5-18°C	
Power Input	140W	160W	180W	160W	190W
Refrigerant	R134a	R600a	R134a	R600a	R134a
Power Consumption	1.18KWhr/24hr	0.795KWhr/24hr	1.51KWhr/24hr	0.923KWhr/24hr	1.65KWhr/24hr
Product Dimension: H x W x D (mm)	830x595x630	1393x595x725	1393x595x725	1760x595x725	1760x595x725
Packing Dimension: H x W x D (mm)	875x650x690	1440x650x790	1440x650x790	1810x650x790	1810x650x790
Net Weight	44kg	75kg	75kg	90kg	90kg
Gross Weight	49kg	85kg	85kg	104kg	104kg

**Note:**

- Capacity is based on Bordeaux type bottles 0.75liter and subject to the number of shelves and display pattern
- Specification may change due to product improvement without prior notice.